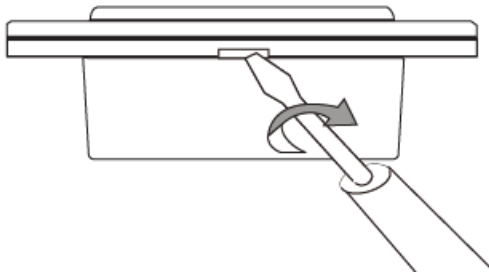




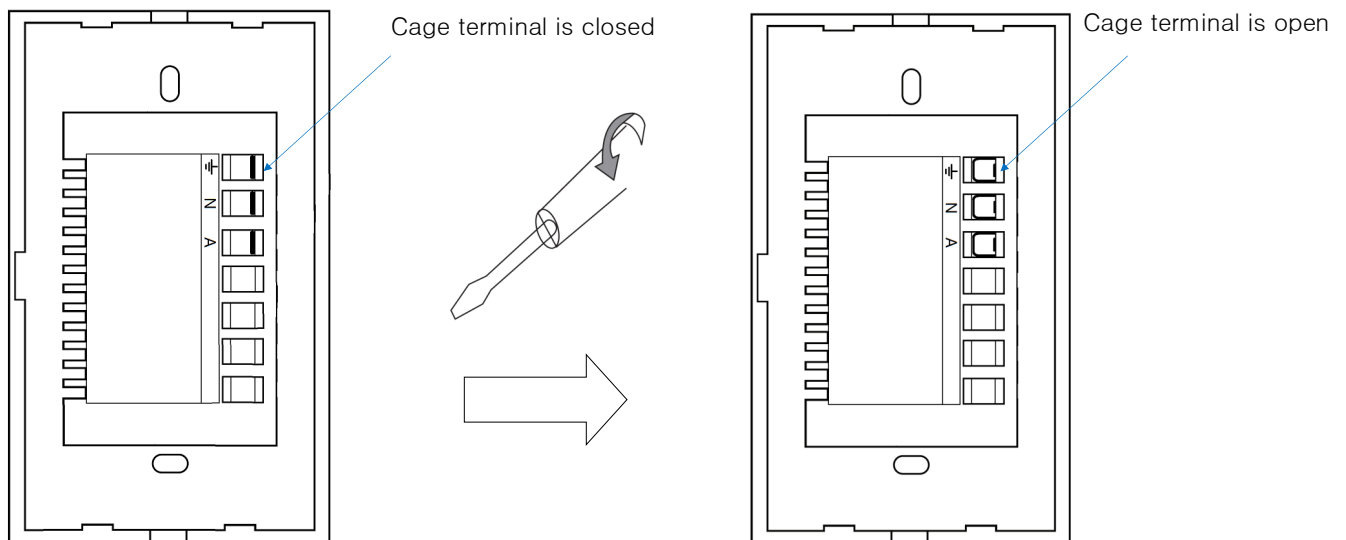
## Installation of Smart Power Point

1. Open the front cover using a flathead screwdriver

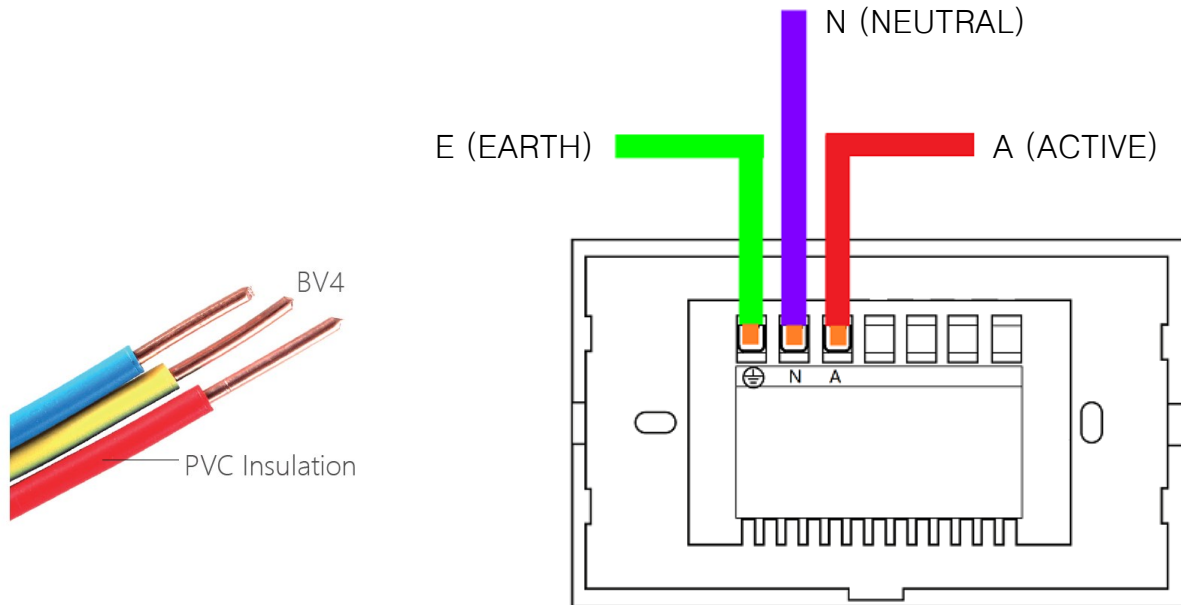


Insert the flathead into the space on one side of the switch, and simply turn the handle clockwise. The front cover will easily come loose.

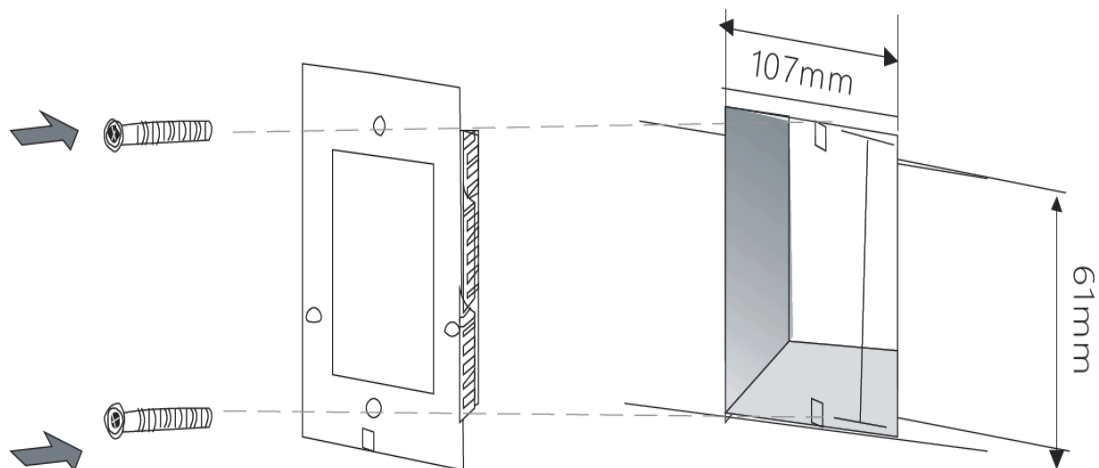
2. Rotate the screwdriver counterclockwise to release the cage terminal



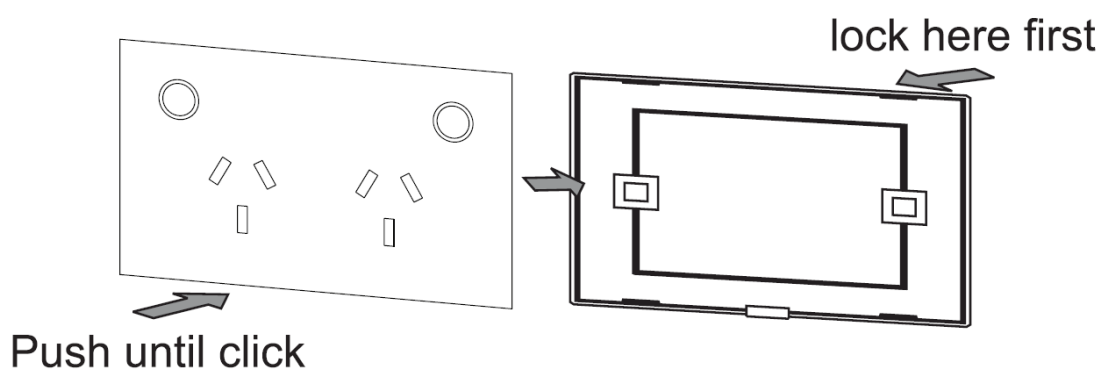
3. Connect the wire to the correct terminal and tighten the screws.



4. Fix Screws (screw size: 50mm x M3.5)



5. Cover the panel and connect to the power. (After the power is on, please wait for 10 seconds, then touch one of the buttons to turn on your power point)



## Connect Your Smart Switch to the Internet

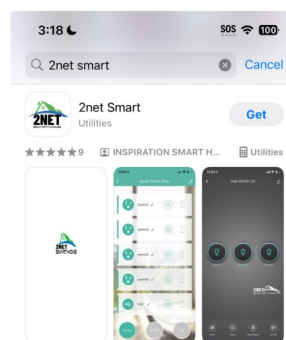
1. Connect your mobile phone to your WiFi network

Ensure your mobile phone is connected to your 2.4GHz WiFi network (Not 5GHz), and get the user name and password ready.

2. Download & Register 2Net Smart App

Scan the QR code below to download the 2Net Smart App.

Or search the app up on Google Play Store or App Store



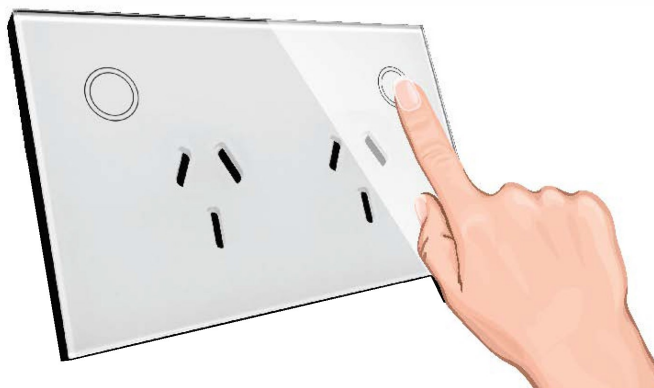
### 3. Add Zigbee gateway on the 2Net Smart app

- ◇ Use a Ethernet cable to connect the zigbee gateway and router.
- ◇ Open 2Net Smart home app at your mobile phone and click “+” – “Add Device” at the top right corner.
- ◇ Choose “Gateway Control ” – “Gateway (Zigbee)” click “Next” until finished.



### 4. Add the power point to 2Net Smart home app

- ◇ Once the smart power point is powered on, Press and hold any “○” button for 5 seconds, the LED indicator will be flashing, then release finger, and it is now active for pairing.
- ◇ Open “2Net Smart” app and click “+” – “Add Device” at the top right corner, then choose “Electrical ” – “Socket (Zigbee)” – “Confirm the indicator is blinking” – “Next”. Follow on-screen instructions until complete.



### Warning

- ◇ Qualified electrician are required for installation.
- ◇ Isolate power before working on circuit.
- ◇ Please do not modify any parts of the product.